

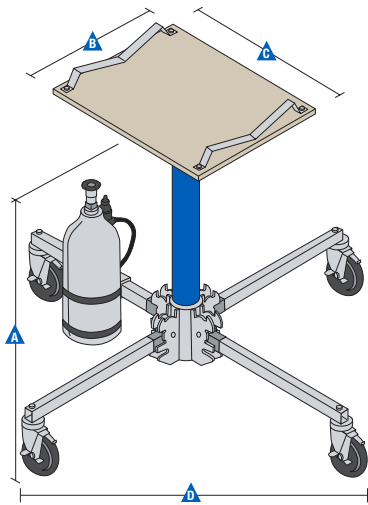


Material Lifts

Super Hoist™

Specifications

MODEL	GH [®] -3.8		GH-5.6	
Measurements	Metric	US	Metric	US
Height - stowed	1.04 m	3 ft 5 in	1.37 m	4 ft 6 in
- lifting height	3.80 m	12 ft 5.6 in	5.60 m	18 ft 4.5 in
Length - platform	0.48 m	1 ft 7 in	0.48 m	1 ft 7 in
Width - platform	0.61 m	2 ft	0.61 m	2 ft
- base (corner to corner)	1.35 m	4 ft 5 in	1.35 m	4 ft 5 in
Productivity				
Load capacity	136 kg	300 lbs	113 kg	250 lbs
Storage/transport dimensions	0.36 x 0.36 x 1.00 m	14 x 14 x 39.5 in	0.36 x 0.36 x 1.00 m	14 x 14 x 39.5 in
Power				
Recommended PSI	5.86 bar	85 psi	5.86 bar	85 psi
Weight*				
	34 kg	75 lbs	37 kg	82 lbs



* Weight will vary depending on options and/or country standards.



Material Lifts

Super Hoist™

Features

Standard Features

Measurements

GH™-3.8

- 3.80 m (12 ft 5.6 in) lifting height
- 136 kg (300 lbs) load capacity

GH-5.6

- 5.60 m (18 ft 4.5 in) lifting height
- 113 kg (250 lbs) load capacity

Productivity

- One-piece platform
- Portable and compact design
- Up and down dump valve can be easily activated by patented control handle
- The Super Hoist sets up in seconds — no tools required
- The one-piece platform attaches to cylinder with a twist of the wrist
- Legs fold up for easy storage
- Easy-to-release leg lock keeps legs up for storage and out for use
- Wheel brakes
- Auto-lubricating oil reservoir on top of each piston inside the cylinder
- Easy to service

Power

- Powered by CO₂ or compressed air
- One size fits all CO₂ bottle mounting bracket

Options & Accessories

Productivity

- Platform cradle package



Genie – Toll free number 1800 788 633

Brisbane
HEAD OFFICE

33 Kimberley Street
Darra QLD 4076

Sydney

74 Glendenning Road
Glendenning NSW 2761

Melbourne

133 Logis Boulevard
Dandenong Sth VIC 3175

Adelaide

16-18 Nixon Road
Wingfield SA 5013

Perth

126 Sheffield Road
Welshpool WA 6106

Darwin

33 McCourt Road
Yarrowonga NT 0830

Genie USA

18340 NE 76th Street
P.O. Box 97030
Redmond, Washington
98073-9730

Distributed By:

Effective Date: July, 2015. Product specifications and prices are subject to change without notice or obligation. The photographs and/or drawings in this document are for illustrative purposes only. Refer to the appropriate Operator's Manual for instructions on the proper use of this equipment. Failure to follow the appropriate Operator's Manual when using our equipment or to otherwise act irresponsibly may result in serious injury or death. The only warranty applicable to our equipment is the standard written warranty applicable to the particular product and sale and we make no other warranty, express or implied. Products and services listed may be trademarks, service marks or trade names of Terex Corporation and/or their subsidiaries in the USA and many other countries. Genie is a registered trademark of Terex South Dakota, Inc. © 2015 Terex Corporation.

GS-3.8, GS-5.6 180524

www.genielift.com.au