



Self-Propelled Telescopic Booms

S® -65 XC™

Specifications

Models	S-65 XC	
Measurements	Metric	US
Working height maximum*	21.81 m	71 ft
Platform height maximum	19.81 m	65 ft
Horizontal reach maximum	16.51 m	54 ft 2 in
Below ground reach	2.65 m	8 ft 8 in
▲ Platform length	0.91 m	3 ft
▲ Platform width	2.44 m	8 ft
▲ Height - stowed	2.81 m	9 ft 3 in
▲ Length - stowed	9.76 m	32 ft
Length, transport (jib tucked under)	7.80 m	25 ft 7 in
▲ Width	2.49 m	8 ft 2 in
▲ Wheelbase	2.50 m	8 ft 2 in
▲ Ground clearance - center	0.41 m	16.3 in

Productivity

Maximum lift capacity - unrestricted	300 kg	660 lbs
- restricted	454 kg	1,000 lbs
Platform rotation	160°	160°
Vertical jib rotation	133° (+ 79° / - 54°)	
Turntable rotation	360° continuous	
Turntable tailswing	1.41 m	4 ft 7.5 in
Drive speed - stowed	4.8 km/h	3.0 mph
- raised/extended	0.3 m/s	1 ft/s
Gradeability - stowed**	45%	45%
Turning radius - inside	2.40 m	7 ft 9 in
- outside	5.50 m	18 ft 2 in
Controls	12V DC proportional	
Tyres	355/55D 625	

Power

Power source	Deutz D2011L03i, 48 hp (36 kW)	
Auxiliary power unit	12V DC	12V DC
Hydraulic tank capacity	170 L	45 gal
Fuel tank capacity - diesel	132 L	35 gal

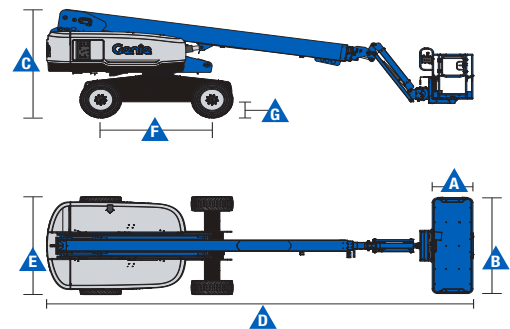
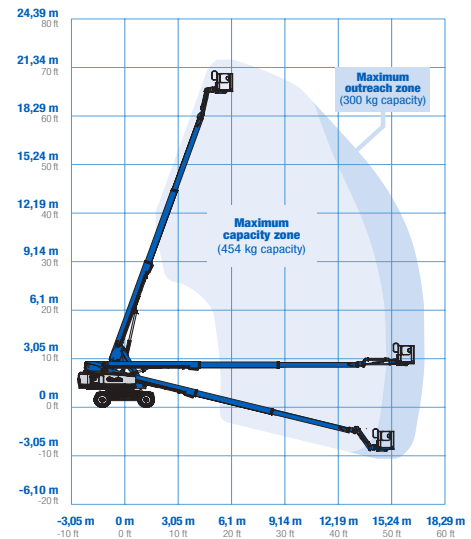
Weight***

4WD	11,673 kg	25,733 lbs
-----	-----------	------------

Standards Compliance

AS 1418.10

Range of Motion S-65 XC



* The metric equivalent of working height adds 2 m to platform height. U.S. adds 6 ft to platform height.

** Gradeability applies to driving on slopes. See operator's manual for details regarding slope ratings.

*** Weight will vary depending on options and/or country standards.



Self-Propelled Telescopic Booms

S[®]-65 XC[™]

Features

Standard Features

Measurements

- 21.81 m (71 ft) working height
- 16.51 m (54 ft 2 in) horizontal reach
- 300 kg (660 lb) unrestricted and 454 kg (1,000 lb) restricted lift capacity

Productivity

- Automatic envelope control
- Self-leveling platform
- 160° hydraulic platform rotation
- Thumb rocker steering
- Proportional joystick controls
- Hydraulic oil cooler
- Drive enable system
- Chassis tilt drive function cut-out
- Horn
- Hour meter
- Descent and tilt alarm
- Flashing beacon & travel alarm
- 360° continuous turntable rotation
- Positive traction drive
- Two speed wheel motors
- On board full diagnostics and engine monitoring display
- Telematics ready connector
- Lift Guard™ Contact Alarm
- Work tray
- Lockable platform control box cover

Power

- 7.5 kW generator - 240 V / 50 Hz
- 12 V DC auxiliary power
- Anti-restart engine protection
- Auto engine fault shutdown
- Intake air heater
- Engine gauge package

Jib

- 1.52 m (5 ft) jib

Drive

- 4 x 4

Axle

- Active oscillation (standard)

Platform

- 2.44 m (8 ft) tri-entry platform with side swing gate

Engine

- Deutz diesel 48 hp (36 kW)



Options & Accessories

Productivity Options

- Half mesh platform inserts with side swing gate
- Airline to platform
- Work light package
- Biodegradable hydraulic oil
- Panel cradle package
- Pipe cradle
- Operator Protective Structure

Power Options

- Diesel catalytic purifier muffler

Tyre Options

- Rough terrain foam-filled (optional on Tyres)
- Rough terrain non-marking foam-filled (standard on Tyres)

Genie – Toll free number 1800 788 633

Brisbane
HEAD OFFICE

33 Kimberley Street
Darra QLD 4076

Sydney

74 Glendenning Road
Glendenning NSW 2761

Melbourne

133 Logis Boulevard
Dandenong Sth VIC 3175

Adelaide

16-18 Nixon Road
Wingfield SA 5013

Perth

126 Sheffield Road
Welshpool WA 6106

Darwin

33 McCourt Road
Yarrowonga NT 0830

Genie USA

18340 NE 76th Street
P.O. Box 97030
Redmond, Washington
98073-9730

Distributed By:

Effective Date: May, 2018. Product specifications and prices are subject to change without notice or obligation. The photographs and/or drawings in this document are for illustrative purposes only. Refer to the appropriate Operator's Manual for instructions on the proper use of this equipment. Failure to follow the appropriate Operator's Manual when using our equipment or to otherwise act irresponsibly may result in serious injury or death. The only warranty applicable to our equipment is the standard written warranty applicable to the particular product and sale and we make no other warranty, express or implied. Products and services listed may be trademarks, service marks or trade names of Terex Corporation and/or their subsidiaries in the USA and many other countries. Genie is a registered trademark of Terex South Dakota, Inc. © 2018 Terex Corporation.

S-65 XC 190518

www.genielift.com.au