



MULTIFARMER
MF40.7CS – MF40.9CS



PERFORMANCE AND FEATURES

MF40.7CS

MF40.9CS

PERFORMANCE

Total unladen weight (kg)

8700

9150

Maximum capacity (kg)

4000

4000

Lifting height (m)

6,7

8,8

Maximum reach (m)

3,7

5,9

Maximum operating height (m)

6,7

7,4

Maximum operating reach (m)

1,5

1,6

Capacity at maximum height (kg)

4000

3000

Capacity at maximum reach (kg)

1750

800

Lateral boom movement (mm)

-

-

Tilting correction (%)

± 8

± 8

Boom sections

2

3

POWERTRAIN

Turbo motor

FPT NEF45

FPT NEF45

Displacement/cylinders

4500/4

4500/4

Engine Power (kW/HP)

125/170

125/170

Anti-pollution technology

TIER 4F, STAGE IV, SCR+DOC

TIER 4F, STAGE IV, SCR+DOC

Reversible fan

-

-

Maximum speed (km/h)

40

40

Fuel tank (l)

150

150

AdBlue tank (l)

18

18

Hydrostatic transmission

CVTronic

CVTronic

EPD

Top

Top

Axles

Axial

Axial

Reduction hub

Epicyclic

Epicyclic

Machine brakes

Dry discs

Dry discs

Automatic parking brake

●

●

HYDRAULIC

Hydraulic pump

LS+FS

LS+FS

Flow rate/pressure (l/min – bar)

150 - 210

150 - 210

Hydraulic tank

96

96

Hydraulic outlet at the top of the boom

●

●

Rear hydraulic outlets

4 - ●

4 - ●

CAB

Cab configuration

Premium

Premium

MCDC

Complet

Complet

FOPS LIV II cab

●

●

ROPS cab

●

●

Cab commands

Electronic joystick

Electronic joystick

Tilting Cab

-

-

Reverse shuttle

Dual reverse

Dual reverse

CONFIGURATION

Cab suspension

●

●

Boom suspension

●

●

Suspension on axles

-

-

Work headlights on cab

●

●

Sun blind

●

●

Tac-lock

●

●

Provision for a platform

○

○

Two floating forks

●

●

Inching-Control

●

●

Four-wheel drive

●

●

Four-wheel steering

●

●

Three steering modes

●

●

Standard tyres

500/70-R24

500/70-R24

Optional tyres

-

-

Stabilisers

-

-

Turret rotation

-

-

Type approval as an agricultural tractor

●

●

Approval with PNEUMATIC braking

○

○

Approval with HYDRAULIC braking

○

○

PTO

●

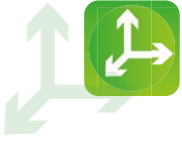
●

3-point linkage

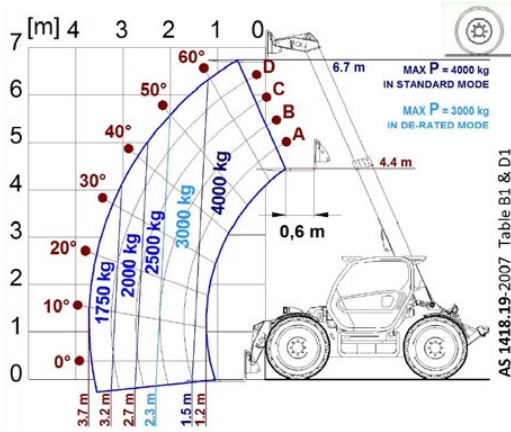
●

●

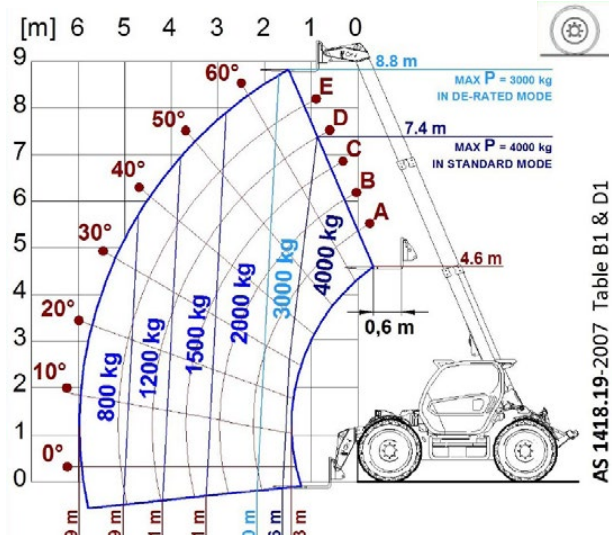
- Not Available. ● standard. ○ optional.



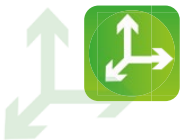
LOAD CHARTS



MF40.7CS

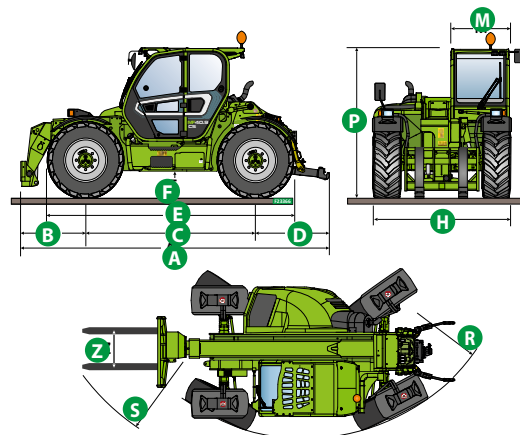


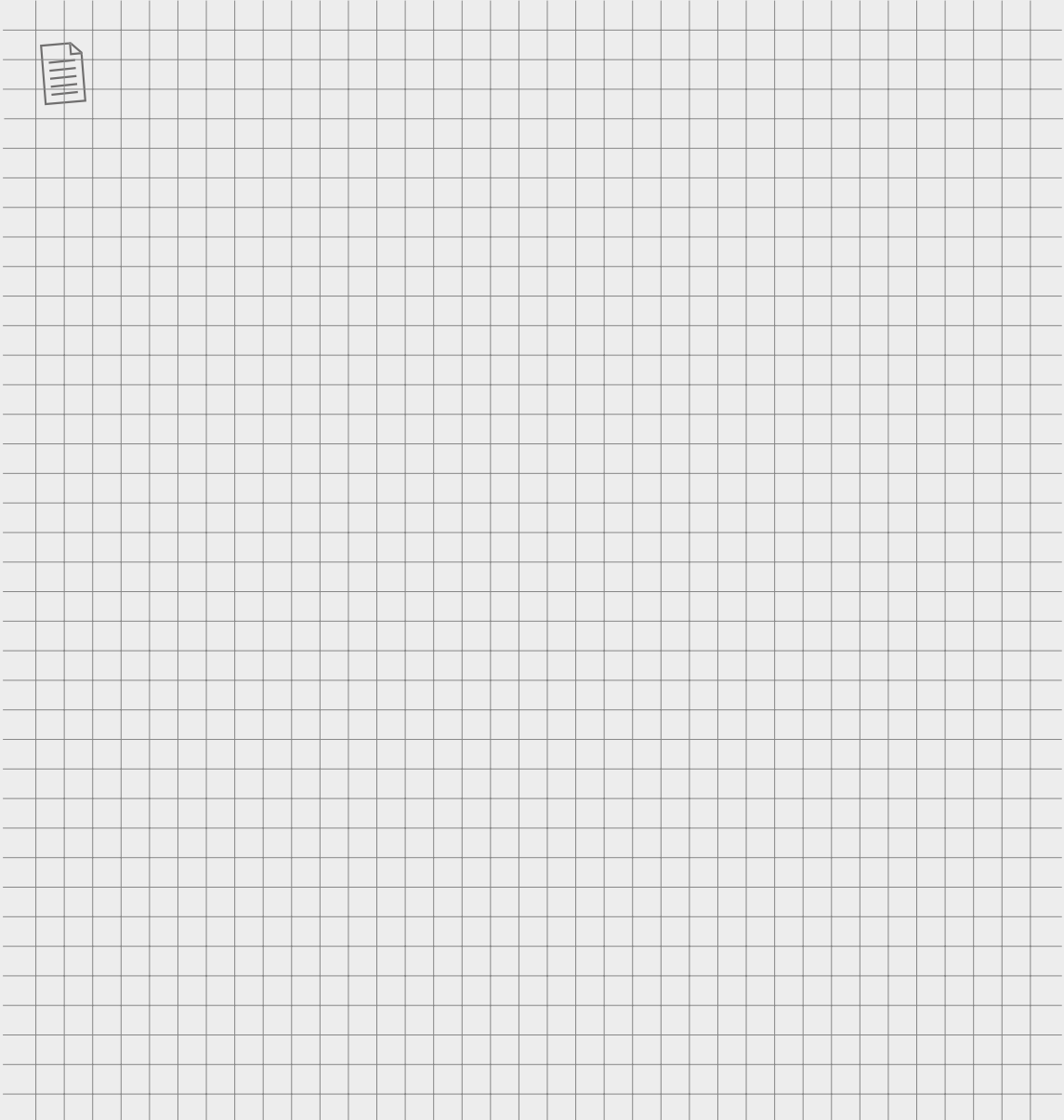
MF40.9CS



DIMENSIONS

	MF40.7CS	MF40.9CS	
A (mm)	5310	5490	
B (mm)	1110	1290	
C (mm)	2920	2920	
D (mm)	1280	1280	
E (mm)	4270	4270	
F (mm)	430	430	
H (mm)	2350	2350	
M (mm)	995	995	
P (mm)	2510	2510	
R (mm)	4210	4210	
S (mm)	4890	5030	
Z (mm)	850	850	





MERLO GROUP AUSTRALIA PTY LTD
27 Colin Jamieson Dve, Welshpool (Perth), WA 6106
Tel. (08) 9358 3110 - Fax (08) 9358 4110
120 Toongabbie Road, Girraween, NSW 2145
Tel. (02) 9688 0600
Tel: 1300 657 325
info@merloaustralia.com.au
www.merloaustralia.com.au

Your Merlo dealer

DS_MF40_0720_AUS