

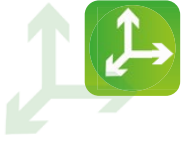


**TURBOFARMER II**  
**TF38.10-140, TF38.10 CS-140**  
**TF38.10 CS-140-CVT**

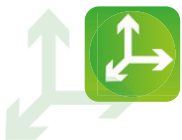
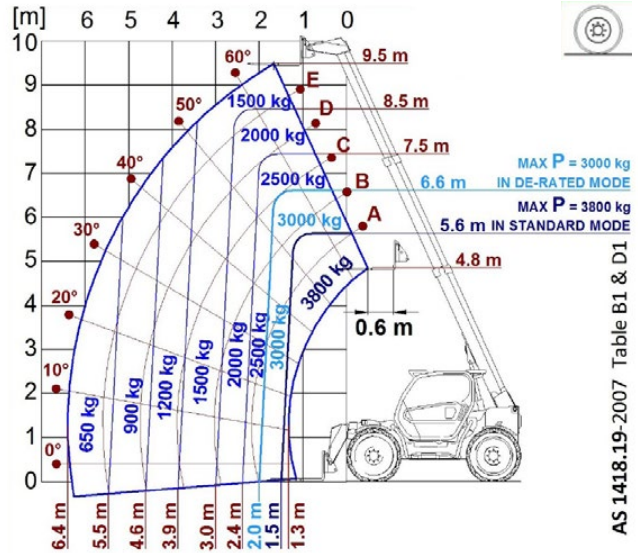


PERFORMANCE AND FEATURES	TF38.10-140	TF38.10 CS-140	TF38.10 CS-140-CVT
<b>PERFORMANCE</b>			
Total unladen weight (kg)	7900	7900	7900
Maximum capacity (kg)	3800	3800	3800
Lifting height (m)	9,5	9,5	9,5
Maximum reach (m)	6,4	6,4	6,4
Maximum operating height (m)	5,6	5,6	5,6
Maximum operating reach (m)	1,5	1,5	1,5
Capacity at maximum height (kg)	1500	1500	1500
Capacity at maximum reach (kg)	650	650	650
Lateral boom movement (mm)	-	-	-
Tilting correction (%)	-	-	-
Boom sections	3	3	3
<b>POWERTRAIN</b>			
Turbo motor	Deutz TCD3.6	Deutz TCD3.6	Deutz TCD3.6
Displacement/cylinders	3600/4	3600/4	3600/4
Engine Power (kW/HP)	100/136	100/136	100/136
Anti-pollution technology	TIER 4F, STAGE IV, SCR+DOC	TIER 4F, STAGE IV, SCR+DOC	TIER 4F, STAGE IV, SCR+DOC
Reversible fan	●	●	●
Maximum speed (km/h)	40	40	40
Fuel tank (l)	140	140	140
AdBlue tank (l)	18	18	18
Hydrostatic transmission	● - 2V	● - 2V	CVTronic
EPD	Plus	Top	Top
Axles	Portal	Portal	Portal
Reduction hub	RR700	RR700	RR700
Machine brakes	Dry disc	Dry disc	Dry disc
Automatic parking brake	●	●	●
<b>HYDRAULIC</b>			
Hydraulic pump	LS	LS+FS	LS+FS
Flow rate/pressure (l/min – bar)	150-210	150-210	150-210
Hydraulic tank	110	110	110
Hydraulic outlet at the top of the boom	●	●	●
Rear hydraulic outlets	○	○	○
<b>CAB</b>			
Cab configuration	ECO	ECO	ECO
MCDC	Complet	Complet	Complet
FOPS LIV II cab	●	●	●
ROPS cab	●	●	●
Cab commands	Electromechanic joystick	Electronic joystick	Electronic joystick
Tilting Cab	-	-	-
Reverse shuttle	Dual reverse	Dual reverse	Dual reverse
<b>CONFIGURATION</b>			
Cab suspension	-	●	●
Boom suspension	●	●	●
Suspension on axles	-	-	-
Work headlights on cab	●	●	●
Sun blind	●	●	●
Tac-lock	●	●	●
Provision for a platform	○	○	○
Two floating forks	●	●	●
Inching-Control	●	●	●
Four-wheel drive	●	●	●
Four-wheel steering	●	●	●
Three steering modes	●	●	●
Standard tyres	405/70-24"	405/70-24"	405/70-24"
Optional tyres	-	-	-
Stabilisers	-	-	-
Turret rotation	-	-	-
Type approval as an agricultural tractor	○	○	○
Approval with PNEUMATIC braking	○	○	○
Approval with HYDRAULIC braking	○	○	○
PTO	-	-	-
3-point linkage	-	-	-

- Not Available. ● standard. ○ optional.



LOAD CHARTS



DIMENSIONS

	TF38.10		
A (mm)	4560		
B (mm)	1160		
C (mm)	2750		
D (mm)	650		
E (mm)	3926		
F (mm)	460		
H (mm)	2250		
M (mm)	995		
P (mm)	2530		
R (mm)	3985		
S (mm)	4800		
Z (mm)	850		

